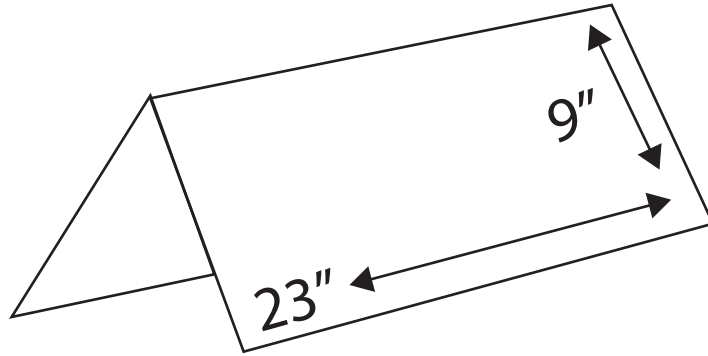


# 12 PANEL MAP FOLDING

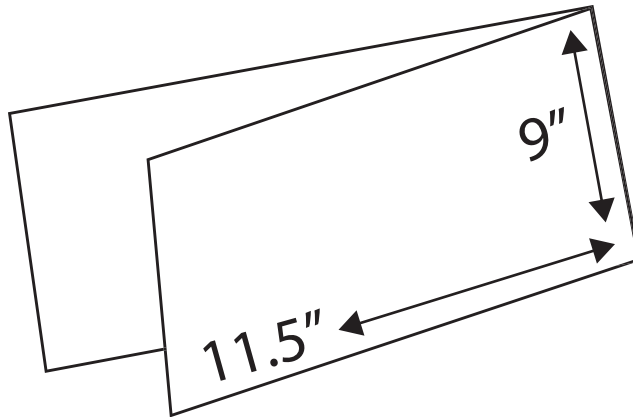
Trim Size: 23 x 18

Finish Size: 3.83 x 9

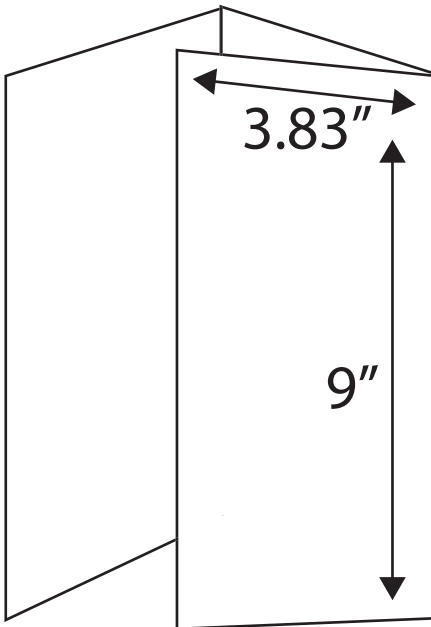
## FOLD 1

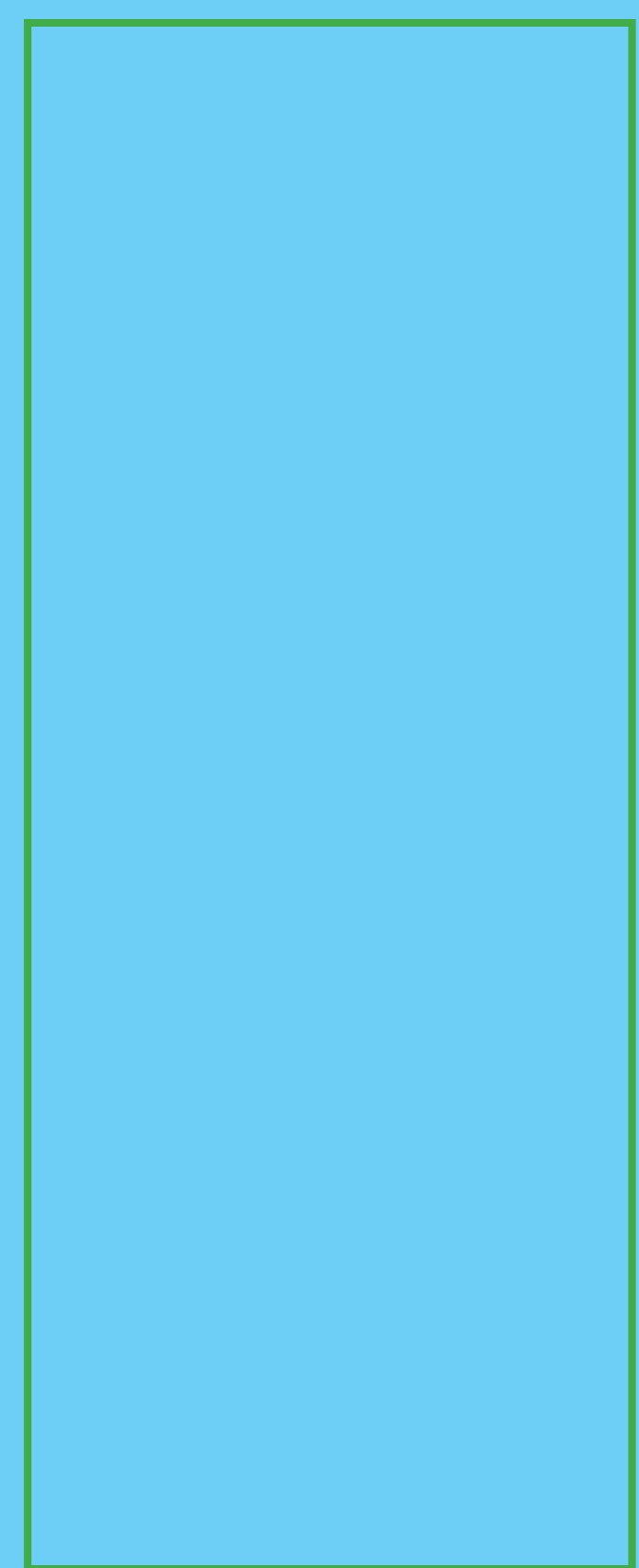
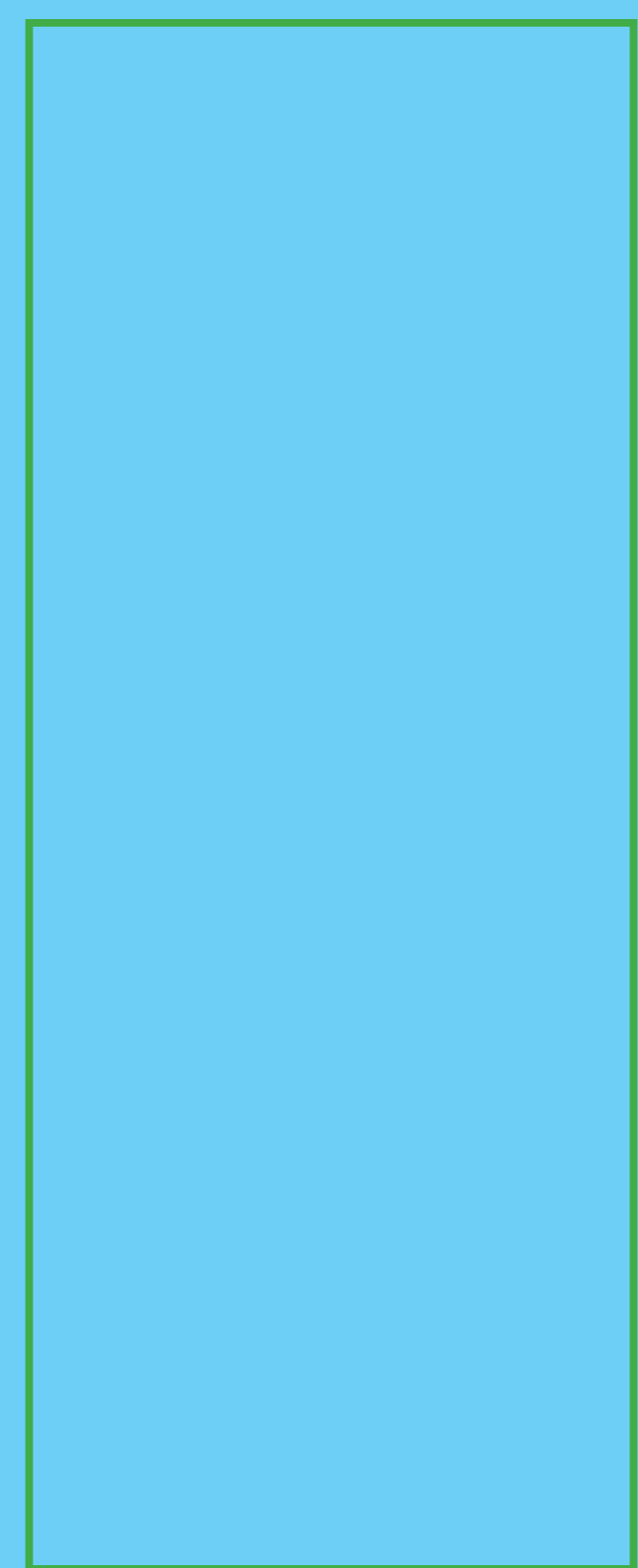
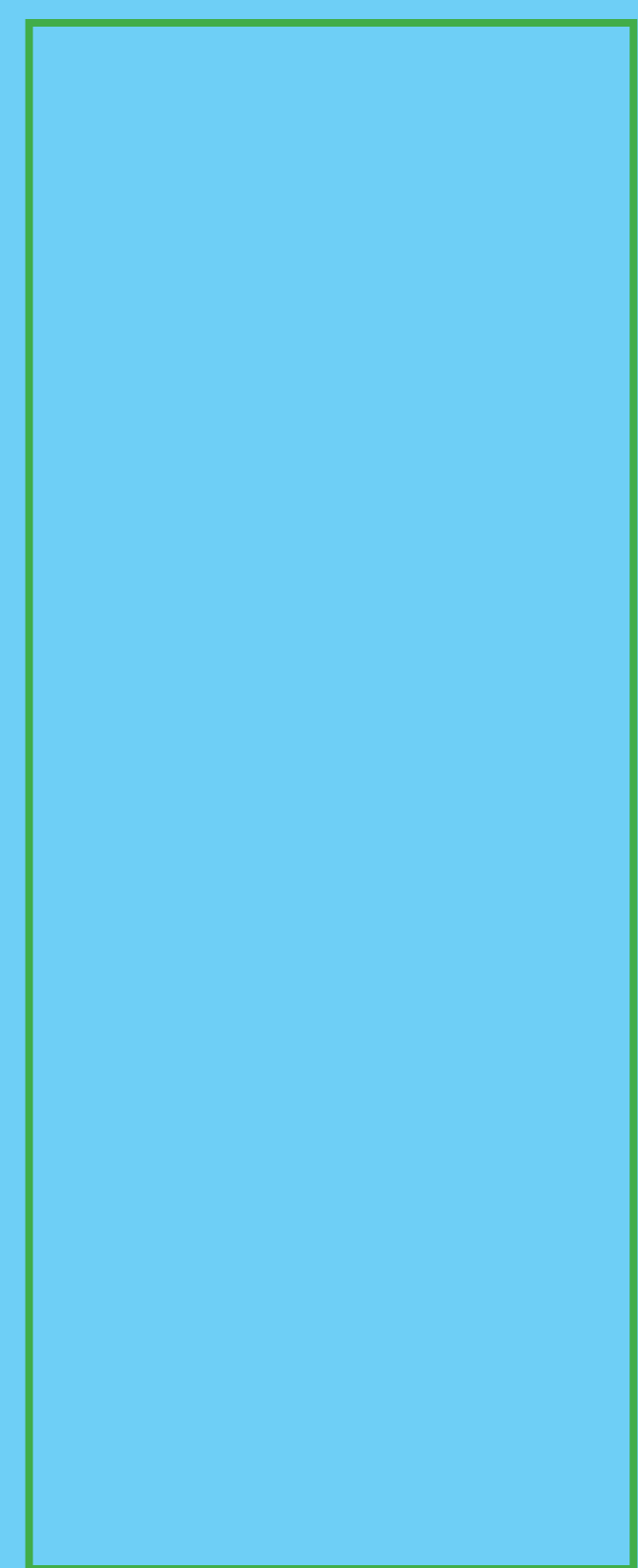
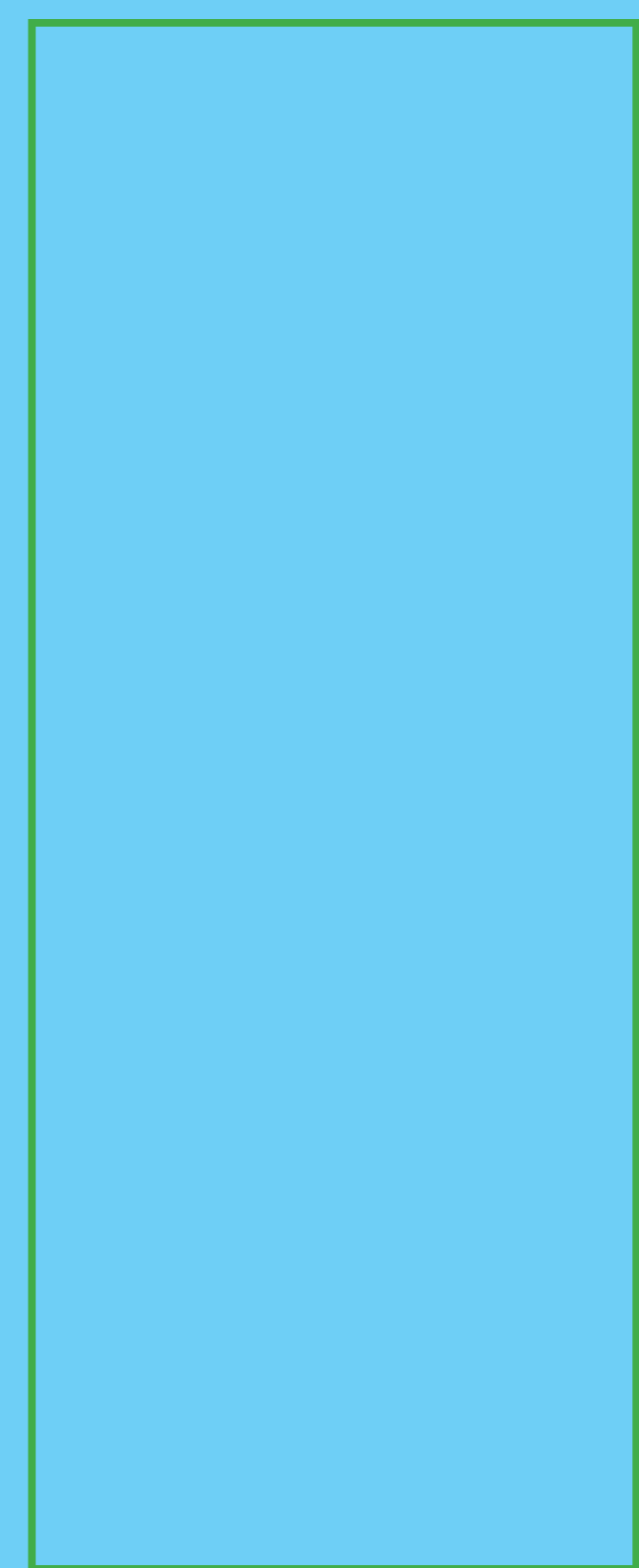
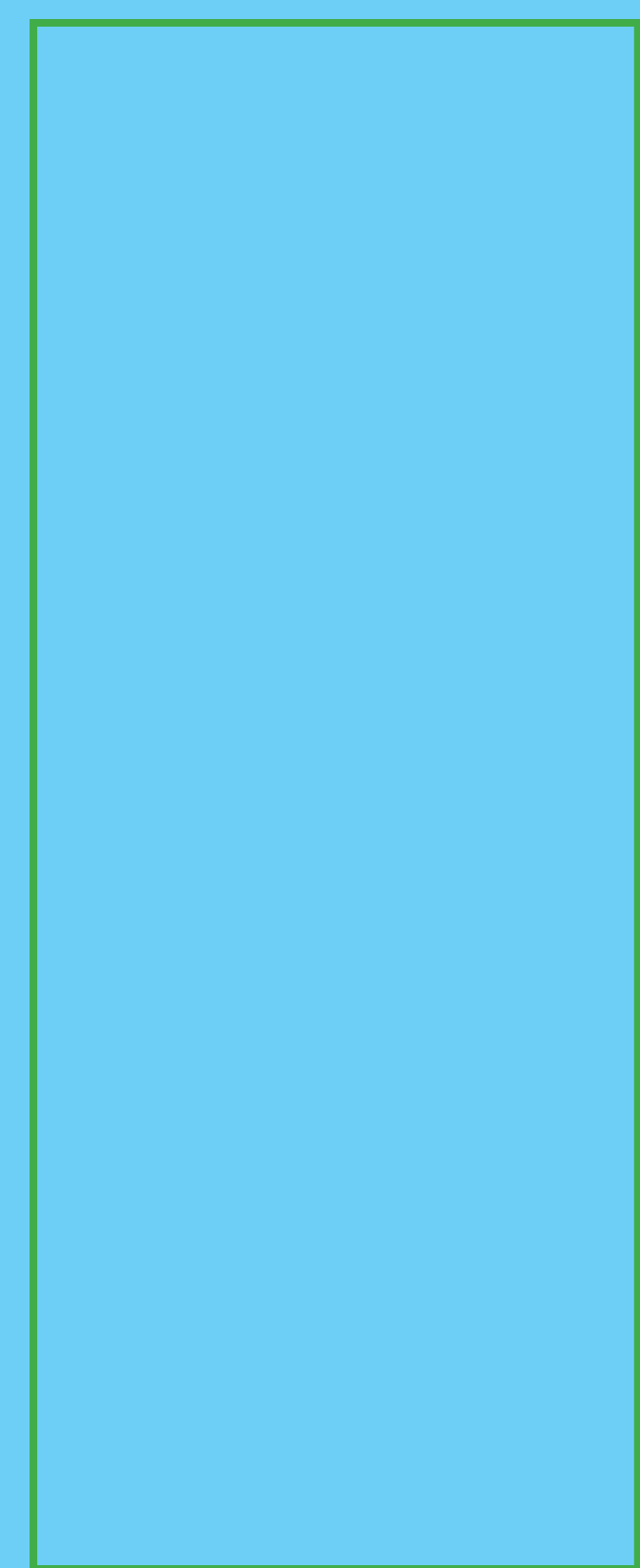
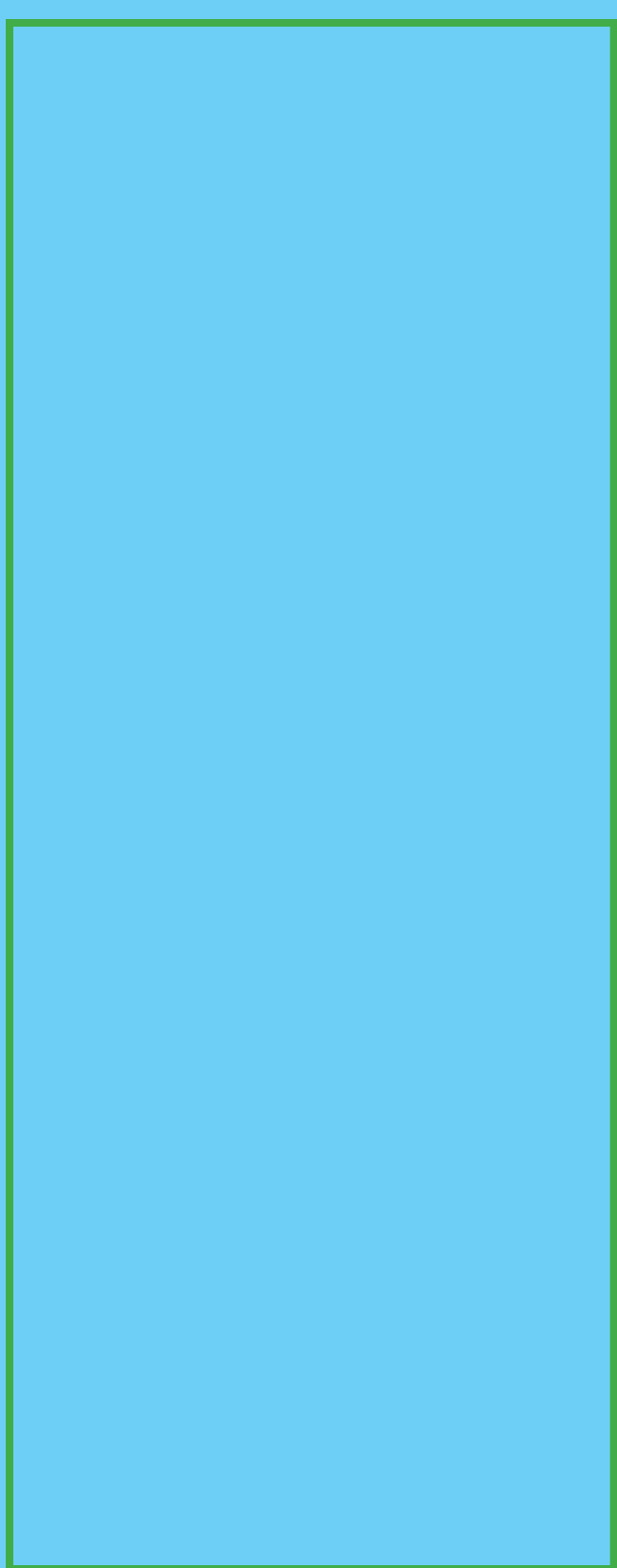


## FOLD 2



## FOLD 3





INSIDE LEFT

INSIDE CENTER

INSIDE RIGHT

INSIDE  
FRONT COVER

FRONT COVER


BACK COVER



FOX LITHO  
www.foxlitho.com • 800-604-3063

TEMPLATE

Document Size: 23 x 18

 Bleed artwork to the black line  
.125 past trim (23.25 x 18.25)

 Trim Edge (23 x 18)

 Text Safety (.25 from Trim/Fold)

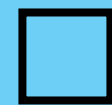


FOX LITHO  
www.foxlitho.com • 800-604-3063

## TEMPLATE

Document Size: 23 x 18

BACK SIDE

 Bleed artwork to the black line  
.125 past trim (23.25 x 18.25)

 Trim Edge (23 x 18)

 Text Safety (.25 from Trim/Fold)